



Picture may vary from actual product

Flex.Gate 'Event'



As adaptable as
your business

The newly designed Flex.Gate not only looks good, it reads multiple types of access media and boasts simple maintenance. In addition, Flex.Gate adjusts to your needs with a customized configuration of modules and can be retrofitted at any time- all of this delivered with time-tested SKIDATA quality.

All Ticket Types Welcome

The unique "Single Point of Reading" allows you to check any data carrier at the same reading point, from barcode to RFID and many other formats. Even authorizations on mobile devices such as smartphones or tablets are easily read. Convenient for your visitors, economical for you.

Make a Great Entrance

Start your events off with the right look. The new, ergonomic design with an extra-large display enables intuitive, user-friendly interaction and provides a direct communication channel with your visitors.

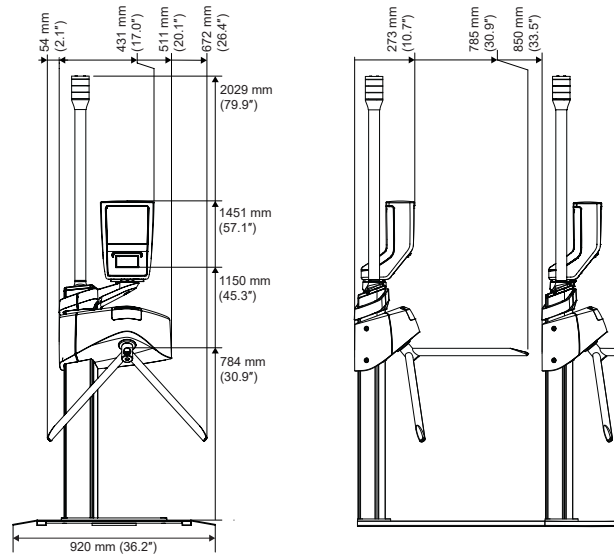
Superior Reliability

Rest assured: Flex.Gate 'Event' is offline-capable, so you are prepared in case of network failure. Proven security and reliability: best in class components have been thoroughly tested across different environments. Our proven quality is our commitment to you.

Flexibility in your Operation

Modularity and easily retrofitted components means Flex.Gate can adapt to new or changing requirements at any time. Uniquely support your company identity and brand with a matching display, or with other tailored prompts. Flex.Gate adapts when you do.

all dimensions in mm



Features

- Completely redesigned, ergonomic device
- Rugged turnstile with resistance against water and a wide temperature range
- Support of various barcode- and RFID-based data carriers (optional)
- High-resolution 7"-display (800x480) for showing graphics and videos – ideal for advertising and other applications
- Fully integrated into SKIDATA's Handshake.Logic

Standard Version

- Durable aluminium casing – suitable for outdoor use without extra weather protection
- High-resolution display with built-in brightness control
- Powerful acoustic signal generator
- Easy manual adjustment thanks to three preset locking positions (entrance, exit, middle)

Options

- High quality barcode module, optimized for reading barcodes on mobile devices
- RFID module for high quality wireless data carriers
- High resolution camera for picture-perfect image capture of users - a perfect match with Handshake 'Photo Compare' to prevent ticket misuse
- SD memory card for offline operation
- Weather protection cover
- Multiple turnstile arm options to fit your need and target audience:
 - 3 arm turnstile star
 - 2 arm turnstile star
 - 1 arm turnstile star
- Overhead light signal for additional operator information
- Escape option for barrierless escape routes
- Adapter for direction recognition for bidirectional operation

Technical Specifications

Dimensions	511 mm × 1451 mm × 273 mm / 20,12" × 57,13" × 10,75" (w × h × d)
Weight including Userbox	approx. 52 kg
Operating voltage	+24 V DC
Power consumption	240 Watt max.
Temperature	-30 °C to +50 °C (-22 °F to 122 °F)
Storage Temperature	-40 °C to +70 °C (-40 °F to 158 °F)
Max. ambient humidity	90 %, non-condensing
Color	Silver grey
Data carriers	RFID: SKIDATA ISO 15693, NFC, ISO 14443 scripting Barcode option: 1D barcode: Interleaved 2 of 5, EAN 8/13, Code 39/128; 2D barcode: DataMatrix, PDF 417, QR
Throughput	about 1200 people per hour
Declarations / Certifications	CE (incl. WEEE), FCC
Degree of protection based on IEC 60529	IP54, NEMA Type 3R
System requirements	Handshake.Logic V9.01 or higher Parking.Logic V11 or higher